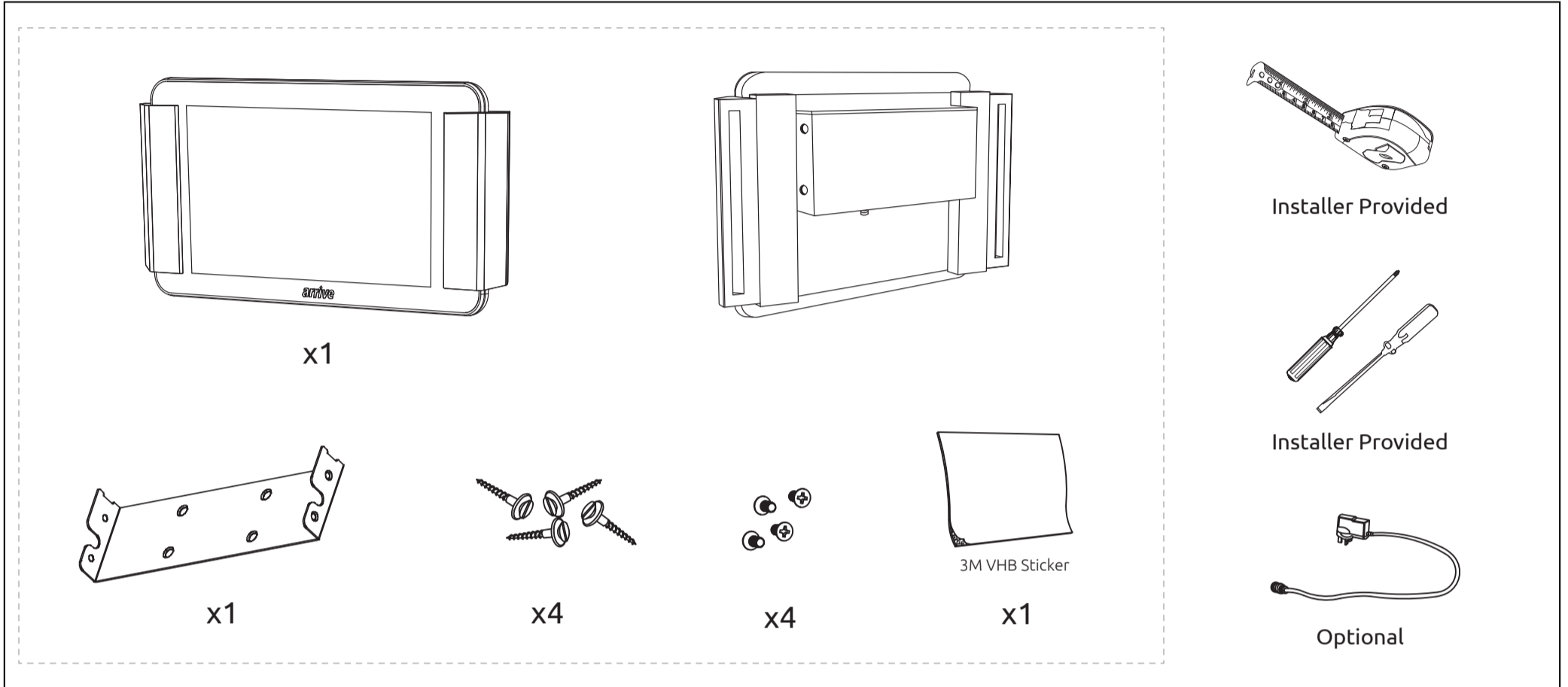
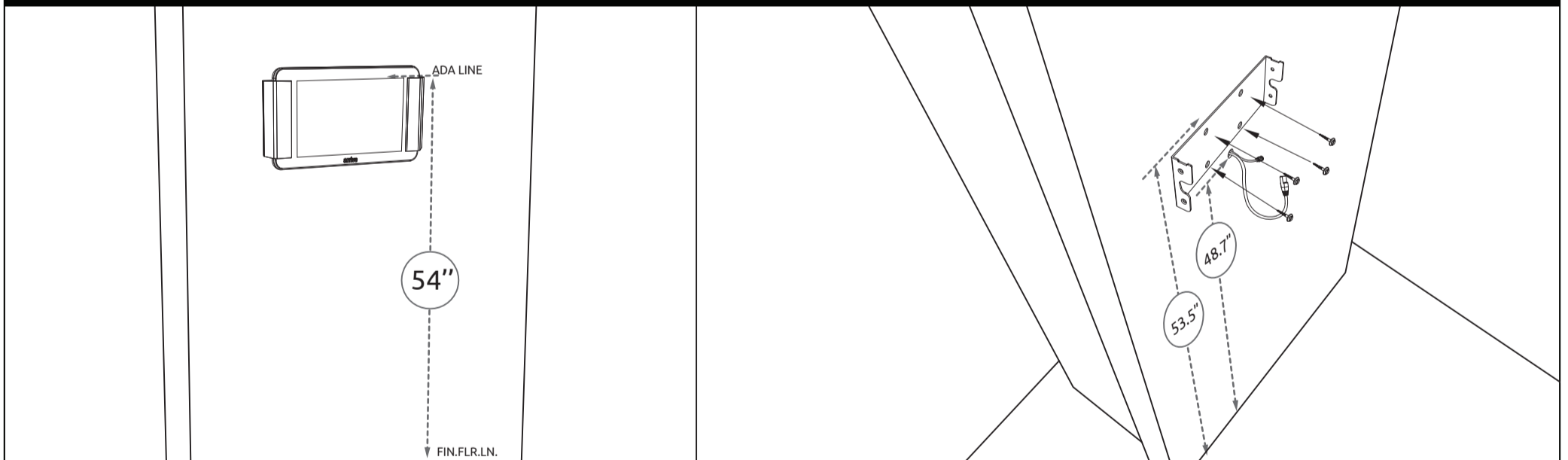


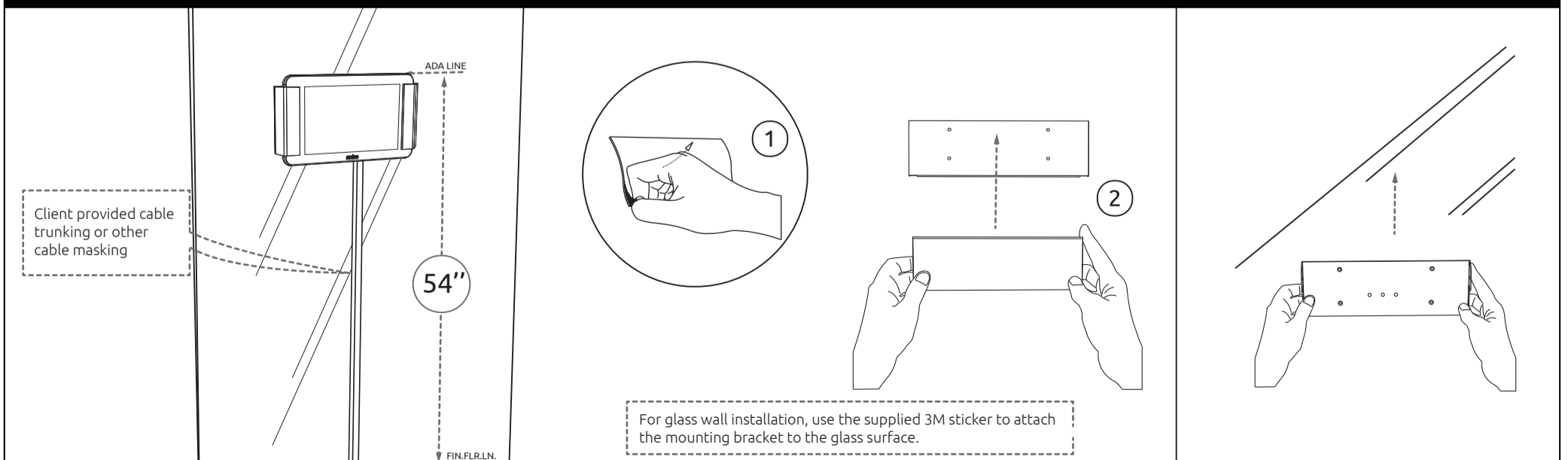
Arrive InfoPoint™ ID-700 INSTALLATION GUIDE



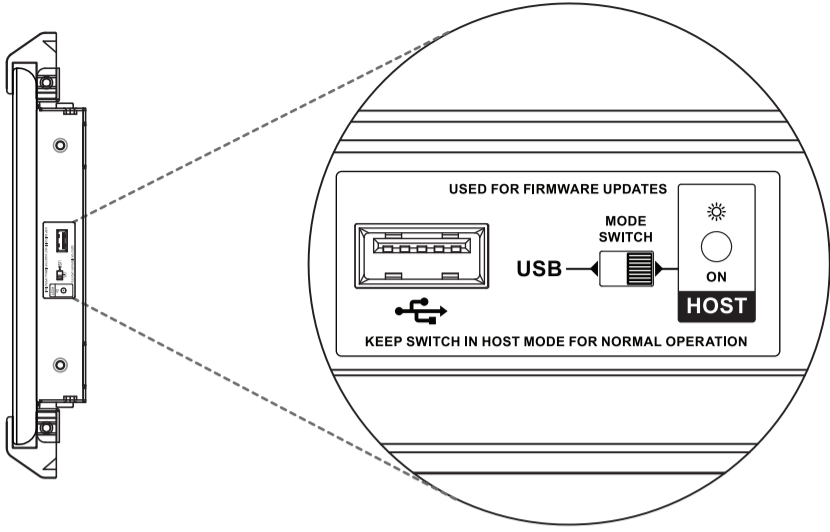
FOR NON-GLASS WALL INSTALLATION



FOR GLASS WALL INSTALLATION

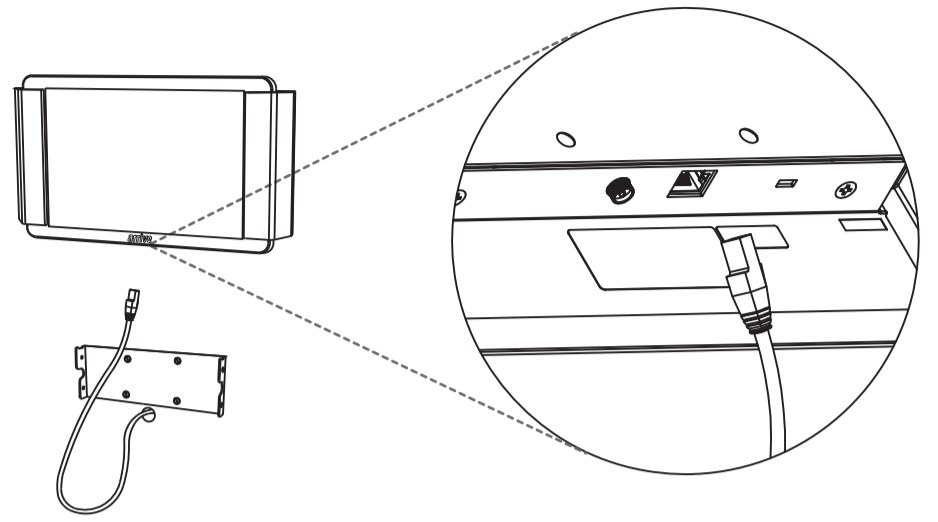


1

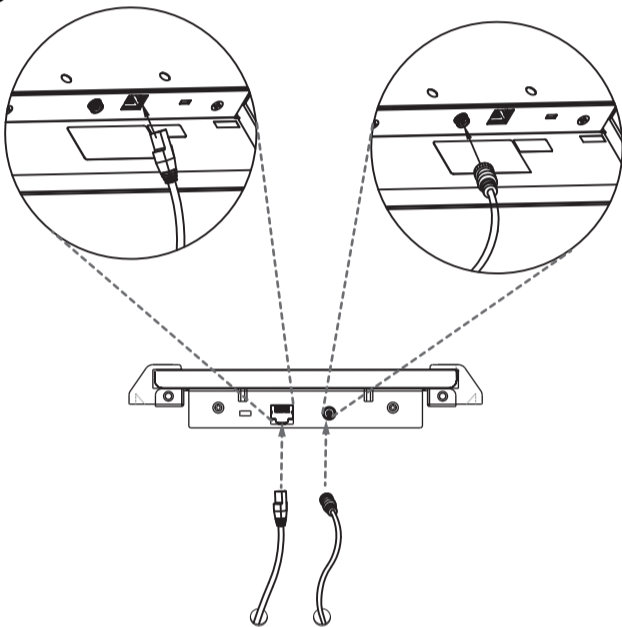


Make sure that the Mode Switch is set to Host.

2

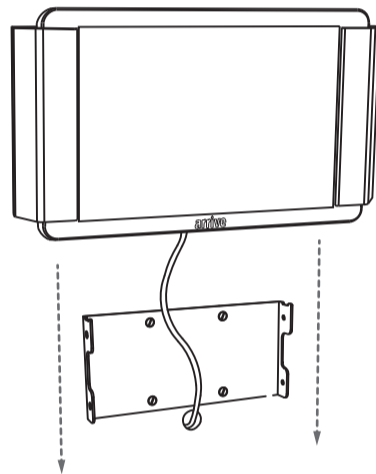


3

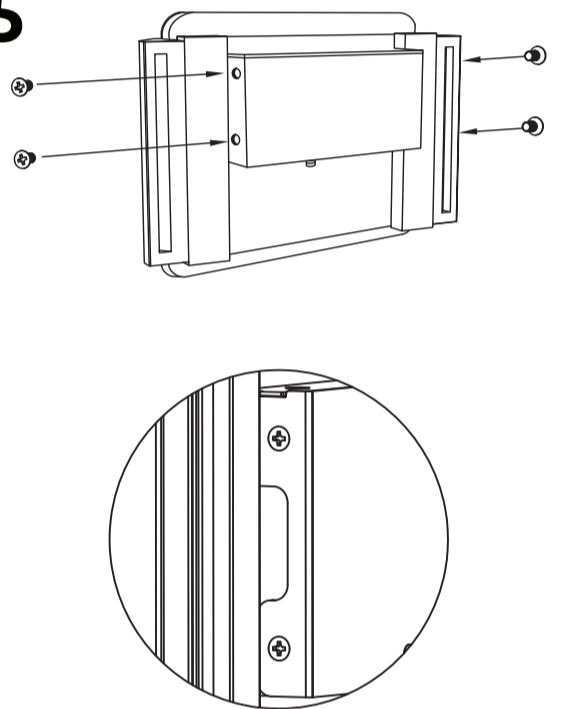


The Arrive InfoPoint™ ID 700 can be powered by PoE. If PoE is not available, use the optional AC Adapter and connect the network cable.

4



5



6

